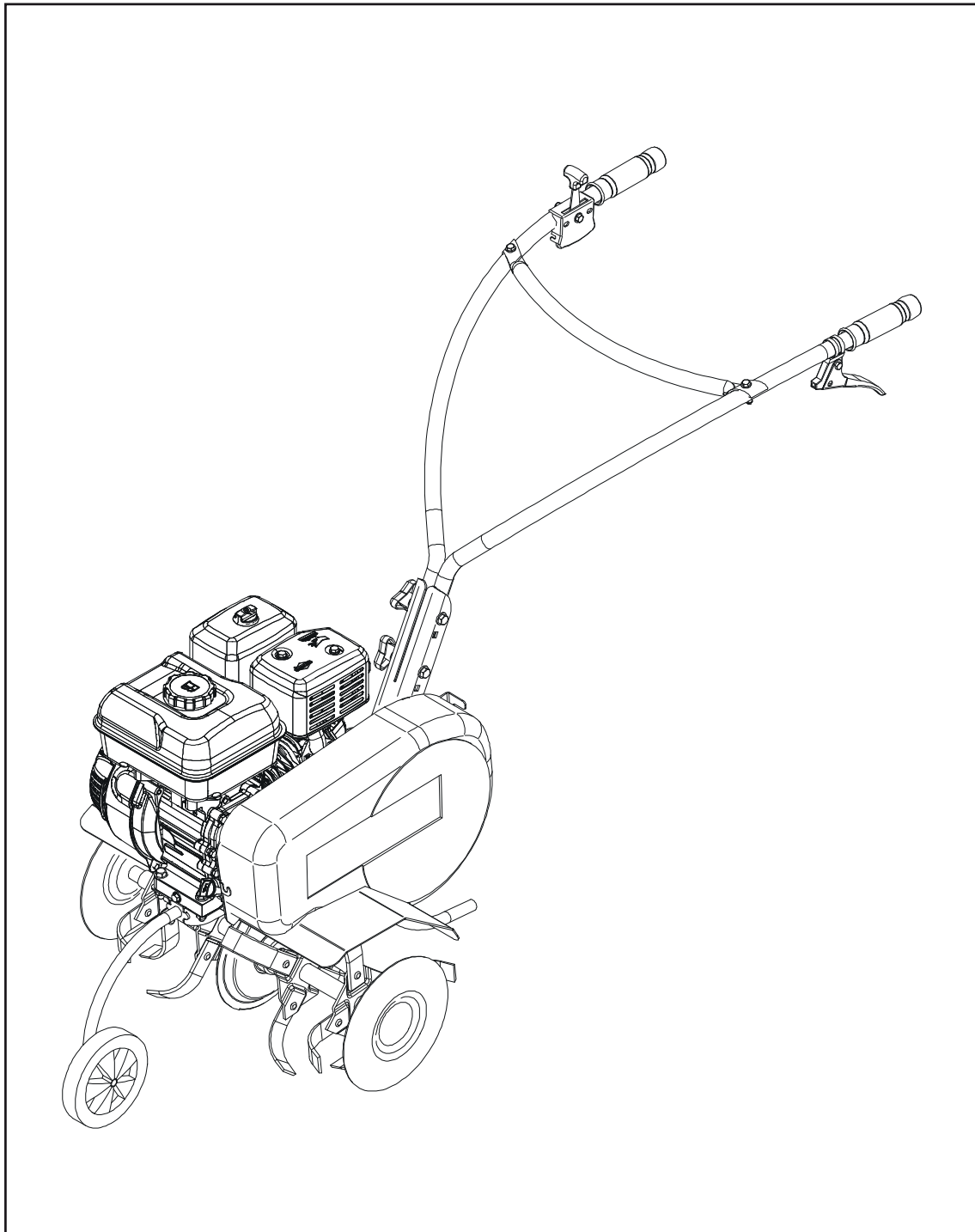
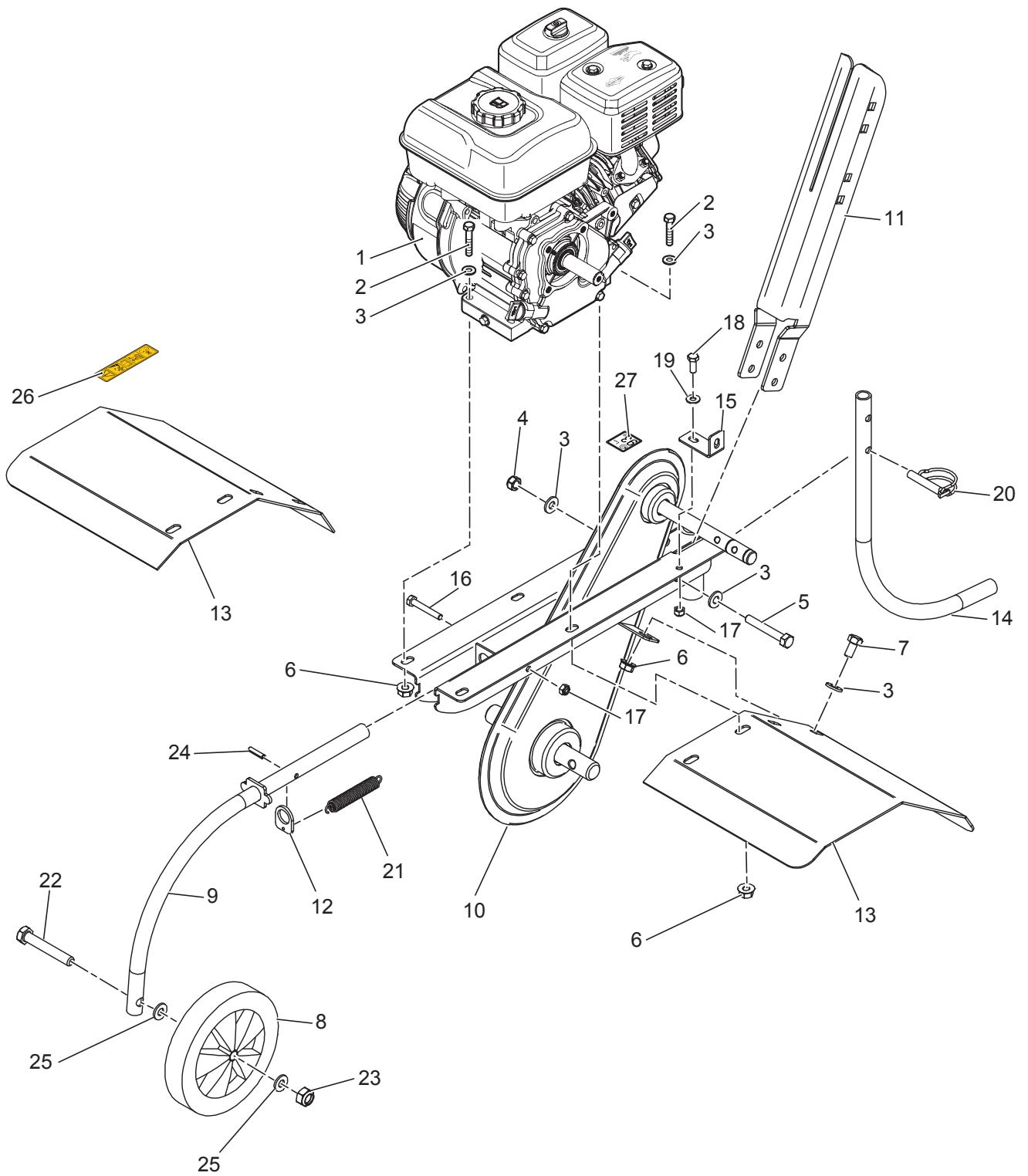


Pièces de rechange

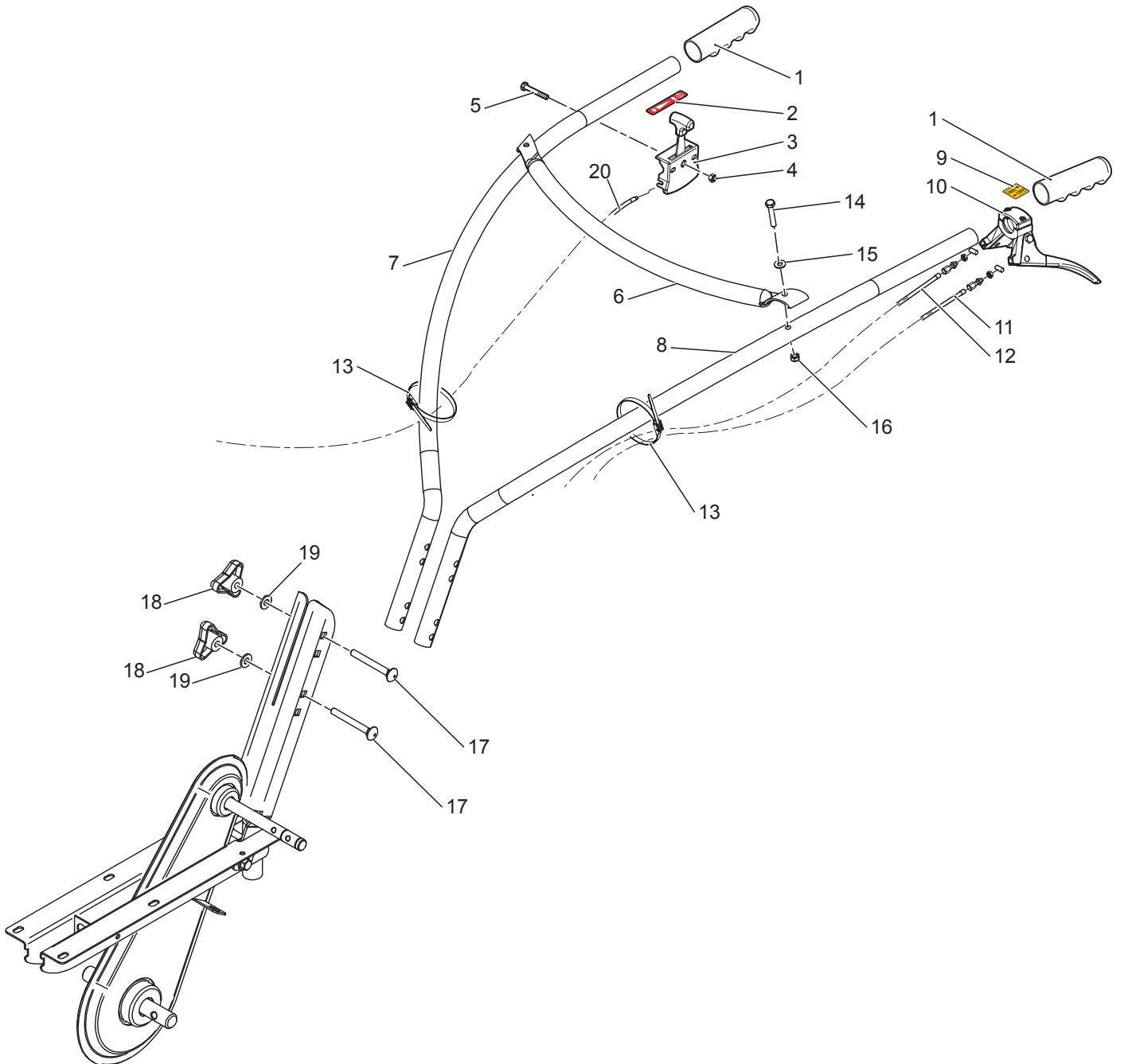
# ***Motobineuse***

## ***T26-T26R***

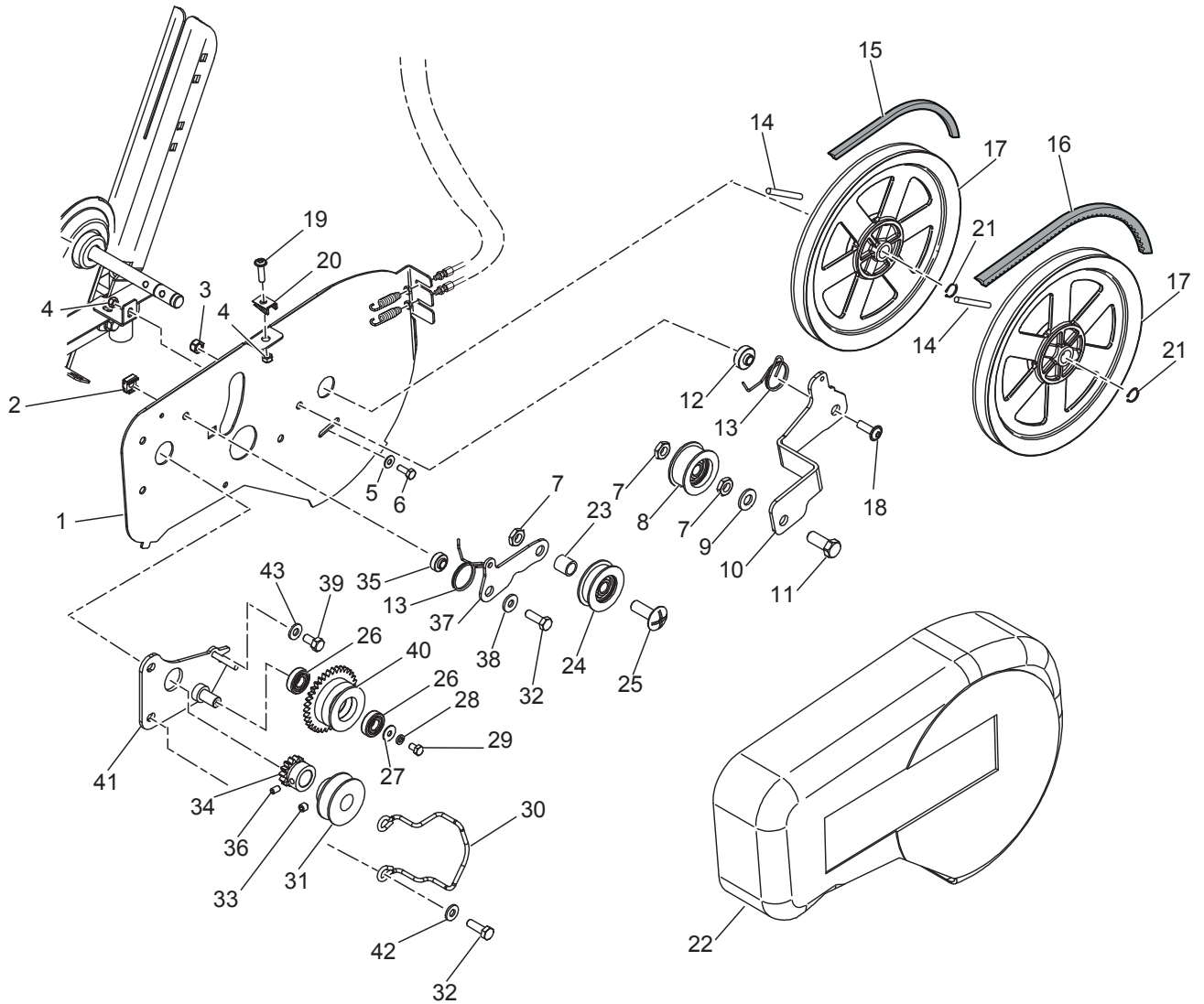




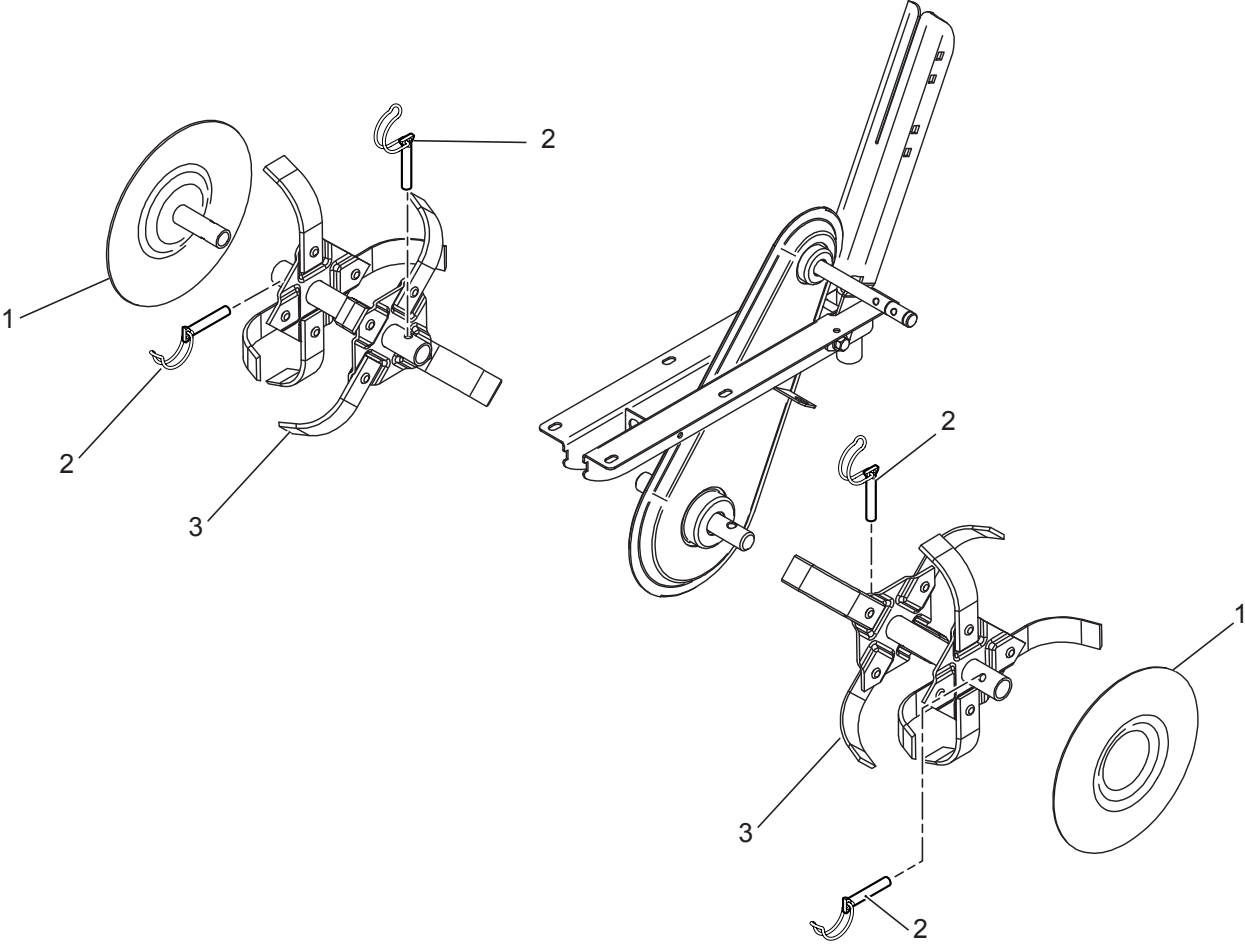
REP.	REFERENCE	REFERENCE FORGES	DESIGNATION	Q'TE
1		FS MOT4F	MOTEUR BS 4 CV SERIE 550	1
2		QSTH08040E Z8	VIS TH 08x40 CL8.8 ZN	4
3		QS MU08Z	ROND PLATE M08x18x1.5 Zn	10
4		QS HF08Z	ECROU BAGUE NYLON 08 ZN	2
5		QSTH08055P Z8	VIS TH 08x055/22 CL8.8 Zn	2
6		QS HE08Z	ECROU EMB CRANTEE H08 Zn	6
7		QSTH08016E Z8	VIS TH 08x16 CL8.8 ZN	2
8		FS ROU150	ROUE D150 ALES:10X35	1
9		311021	BRAS DE ROUE	1
10		310891	CHASSIS	1
11		310841	POTENCE	1
12		311041	PLAT RESSORT	1
13		310951	AILE	2
14		310941	EPERON	1
15		310981	PATTE DE PLATINE	1
16		QSTH06040PZ8	VIS TH 06x40 CL8.8 ZN	1
17		QS HF06Z	ECROU BAGUE NYLON 06 ZN	2
18		QSTH06016PZ8	VIS TH 06x16 CL8.8 ZN	1
19		QS MU06Z	ROND PLATE M06x14x1.2 Zn	1
20		GO0738	GOUPILLE FM 07X38	1
21		FP451750	RESSORT DE TRACTION	1
22		QSTH10070PZ8	VIS TH 10x70/26 CL8.8 ZN	1
23		QS HF10Z	ECROU BAGUE NYLON 10 ZN	1
24		QSGM0520	EGOUPILLE MECA 05X40	1
25		QS MU10Z	ROND PLATE M10x22x 2 Zn	2
26		407130	ETIQUETTE SECURITE	2
27		209890	ETIQUETTE 93 DB	2



REP.	REFERENCE	REFERENCE FORGES	DESIGNATION	Q'TE
1		FS POI03	POIGNEE ERGO D22 NOIRE	2
2		FDE T400450	ETIQUETTE "GAZ" POUSSE	1
3		FS MANET03	MAN. GAZ AVEC EMB NOIR	1
4		QS HF06Z	ECROU BAGUE NYLON 06 ZN	1
5		QS TH06040P Z8	VIS TH 6x40/18 CL8.8 ZN	1
6		310831	TRAVERSE DE GUIDON	1
7		310801	1/2 GUIDON DROITE	1
8		310811	1/2 GUIDON GAUCHE	1
9	T26	FE DT400500	ETIQUETTE "MAV "	1
	T26R	FDET400460	ETIQUETTE "MAV/MAR"	
10	T26	FSLEV48	POIGNEE SIMPLE	1
	T26R	FSLEV49	POIGNEE DOUBLE	
11		547580	CABLE MAV	1
12	T26R	311520	CABLE MAR	1
13		FSCOL140	COL. NYLON CRANTE NOIR	2
14		QS TH06035P Z8	VIS TH 6x35/18 CL8.8 Zn	2
15		QS MU06Z	ROND PLATE M06x14x1.2 Zn	2
16		QS HE 06Z	ECROU EMB CRANTE E H06 Zn	2
17		QSTRCC0865	VIS TRCC 08x65	2
18		FSBET08N1	BOUTON ETOILE D35 M8 NOIR	2
19		QS MU08Z	ROND PLATE M06x18x1.5 Zn	2
20		406100	CABLE ACCELERATEUR	1



REP.	REFERENCE	REFERENCE FORGES	DESIGNATION	Q'TE
1		310921	PLATINE PEINTE	1
2	T26R	QS HCR08	ECROU CAGE RAPID C4808.B	1
3		QS HS 08Z8	ECROU FREIN 08ZB1 NF 25410	1
4		QS HF 06Z	ECROU BAGUE NYLON 06 ZN	1
5		QS MU06Z	ROND PLATE M06x14x1.2 Zn	1
6		QS TH06016E Z8	VIS TH 06x16 CL8.8 ZN	1
7	T26	QS HM12Z	ECROU BAS Hm12 ZN iso4035	2
	T26R	QS HM12Z	ECROU BAS Hm12 ZN iso4035	3
8		FP 402050	GALET PLASTIC SIMPLE H20	1
9		QS MZ12Z	RONDELLE PLATE Z12 Zn	1
10		209111	BASCULOT MAV PEINT	1
11		QS TH12030E Z8	VIS TH 12x30 CL8.8 ZN	1
12		FP 400511	ENTRETOISE MAV Zn	1
13	T26	FP 400220	RESSORT MAV MOTOB	1
	T26R	FP 400220	RESSORT MAV MOTOB	2
14	T26	230550	GOUPILLE ENTRAINEMENT	1
	T26R	230550	GOUPILLE ENTRAINEMENT	2
15	T26R	FSCOUZ34	COURROIE Z34	1
16		FSCOUA38	COURROIE A38	1
17	T26	230330	POULIE RECEPRICE	1
	T26R	230330	POULIE RECEPRICE	2
18		QSBHC08025ZN	VIS BHC EMBASE 8x25 ZN	1
19		QSBHC06025ZN	VIS BHC EMBASE 6x25 ZN	1
20		QSHRPM6	ECROU CAGE RAPIDE M6	1
21	T26	QSCL015E	CIRCLIPS EXTER D15	1
	T26R	QSCL015E	CIRCLIPS EXTER D15	2
22		310910	CAPOT COURROIE	1
23	T26R	404521	ENTR.D.17 EP2 LG17 F200 Z	1
24	T26R	FP 408020	GALET PLASTIC D44x17 NOIR	1
25	T26R	QSTL1240	VIS RL 12X40	1
26	T26R	FSBEA6001ZZ	ROULEMENT 6001 ZZ	2
27	T26R	QS ML06Z	ROND PLATE L06x18x1.2 Zn	1
28	T26R	QSMW06Z	RONDELLE GROWER W06 ZN	1
29	T26R	QS TH06010E Z8	VIS TH 06x10 CL8.8 ZN	1
30		407750	BUTEE DE COURROIE	1
31		FP 400431	POULIE MAV MOTOB	1
32	T26	QS UNF 5/16X5/8	VIS TH 5/16x5/8 24UNF CL8.8	2
	T26R	QS UNF 5/16X1	VIS TH 5/16x1 24UNF CL8.8	3
33		QS ST08010BU	VIS ST HC 08x10 B.POINTU	1
34	T26R	FP 403780	ENGRENAGE 14 DENTS D19	1
35	T26R	FP 400521	ENTRETOISE MAR Zn	1
36	T26R	QS ST06010BP	VIS ST HC 6X10B PLAT Zn	1
37	T26R	543531	BASCULOT MAR PEINT	1
38	T26R	FP 400381	RONDELLE 20x8,2x2,4 Zn	1
39	T26R	QS TH08016E Z8	VIS TH 08x16 CL8.8 Zn	1
40	T26R	403790	POULIE M.AR	1
41	T26R	407761	PLATINE MAR PEINTE	1
42	T26	QSMU08Z	RONDELLE PLATE M08x18x1.5 ZN	2
	T26R	QSMU08Z	RONDELLE PLATE M08x18x1.5 ZN	3





---

REP.	REFERENCE	REFERENCE FORGES	DESIGNATION	Q'TE
1		527071	DISQUE MOTOBINEUSE	2
2		GO0828	GOUPILLE FM 8x28	4
3		311371	ETOILE DE PART	2